

CODE NUMBER

20021420

DESCRIPTION

ST-2009 Water Closet and SLOAN 111 DFSM Flushometer.

COMPONENTS

- Flushometer: Code 3780037
- Water Closet: Code 2102009

DETAILS

- Flush Volume: 1.6/1.1 gpf (6.0/4.2 Lpf)
- Nominal Dimensions: 26 ¾" x 14" x 15" (679 x 356 x 381mm)

FLUSHOMETER FEATURES

- Non-Hold-Open True Mechanical Override Full Flush/Dual Flush Buttons
- If the user is present for less than one minute and leaves the sensing zone or chooses the small GREEN override button, a reduced flush initiates (1.1 gpf/4.2 Lpf) eliminating liquid and paper waste, saving 1/2 gallon of water
- If the user is present for greater than one minute and leaves the zone or chooses the large BLACK override button, the full flush initiates (1.6 gpf/6.0 Lpf) eliminating solid waste and paper
- Four (4) size C alkaline batteries included
- "Low Battery" Flashing LED
- "User in View" Flashing LED
- 72-Hour Sentinel Flush
- 1" I.P.S. Screwdriver Bak-Chek® Angle Stop with Vandal Resistant Stop Cap
- Sweat Solder Adapter w/Cover Tube and Cast Wall Flange with Set Screw
- No External Volume Adjustment to Ensure Water Conservation
- Handle Packing, Main Seat, Stop Seat and Vacuum Breaker Molded from PERMEX® Rubber Compound for Chloramine resistance
- ADA Compliant Battery Powered Infrared Sensor for automatic "Hands-free" operation
- PERMEX® Synthetic Rubber Diaphragm with Linear Filtered Bypass and Vortex Cleansing Action

FIXTURE FEATURES

- White Vitreous China
- Elongated bowl
- Floor mounted, floor outlet
- Siphon jet flushing action achieves 1000g Map score when used with any Sloan flushometer
- Water spot area: 10 1/8" x 9 3/8" (26 cm x 24 cm)
- 1 1/2" I.P.S. top spud inlet
- 2 1/8" fully glazed trapway
- Closet bolts and caps included
- Toilet seat not included
- Static load rating of 1000 lbs. (See Notes)
- WaterSense compliant when used with a WaterSense compliant flushometer



COMPLIANCES & CERTIFICATIONS



(BREEAM Water Credit, Green Globes Water Credit, BAA Compliant)

DOWNLOADS

- [G2 Optima Plus Installation Instructions](#)
- [SS/ST/SU/WETS/WEUS Fixtures Repair and Maintenance Guide](#)
- [Additional Downloads](#)

NOTES

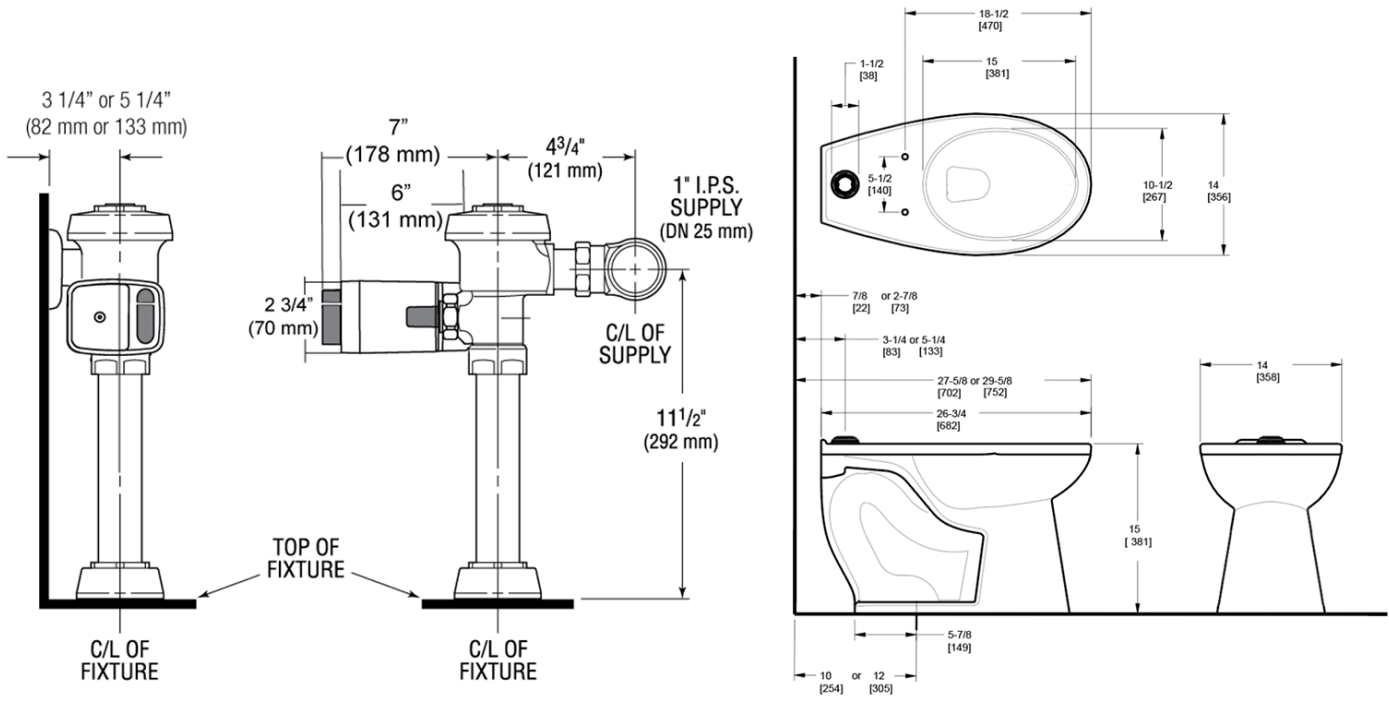
All information contained within this document subject to change without notice.

Static load tested according to the procedure outlined in Section 6.7 of ASME A112.19.2. Not recommended for bariatric use.

Sloan 10500 Seymour Ave, Franklin Park, IL 60131

Phone: 800.982.5839 • Fax: 800.447.8329 • sloan.com

ROUGH-IN



Sloan 10500 Seymour Ave, Franklin Park, IL 60131

Phone: 800.982.5839 • Fax: 800.447.8329 • sloan.com